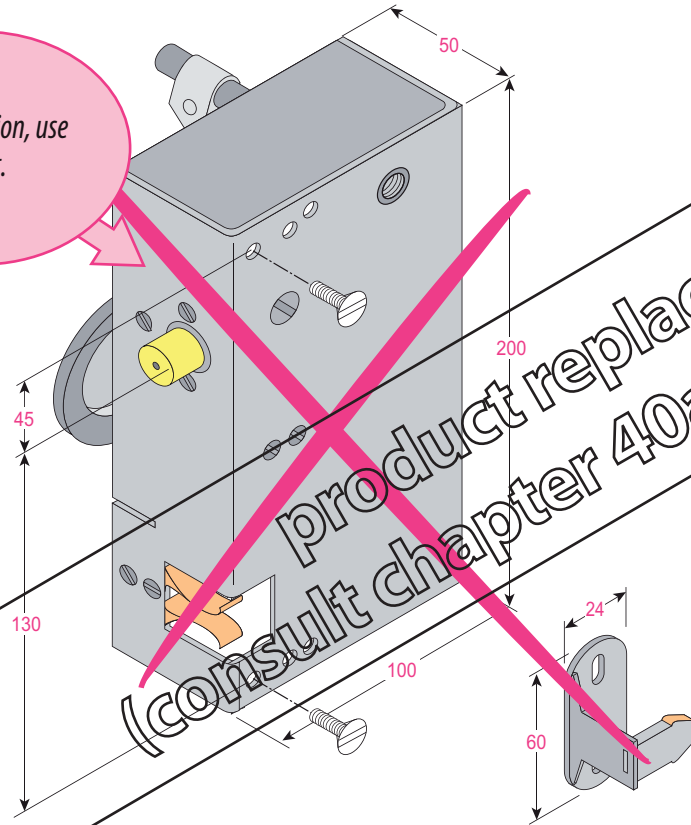


To replace :

Westinghouse lock without pin control mechanical.

Landing side fixation

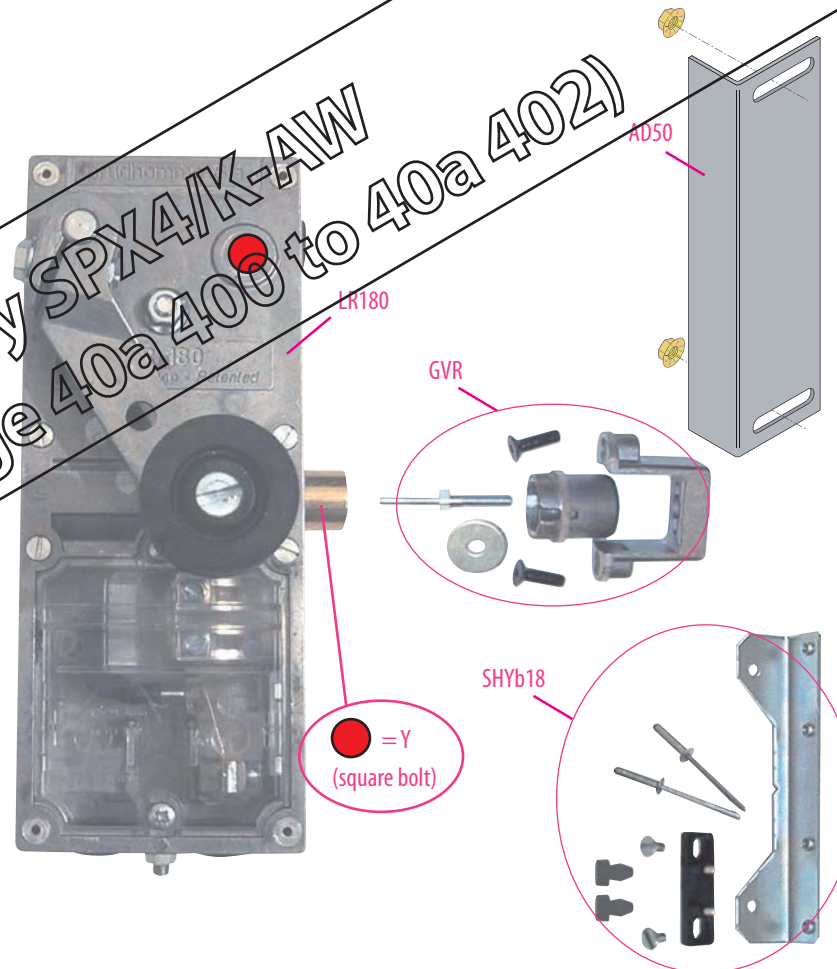
if front fixation, use SU set.



product replaced by SPX4/K-AW  
 (consult chapter 40a page 40a 400 to 40a 402)

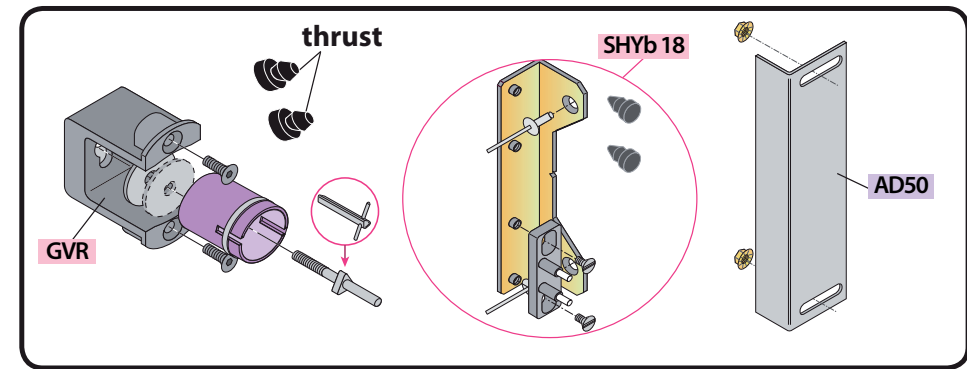
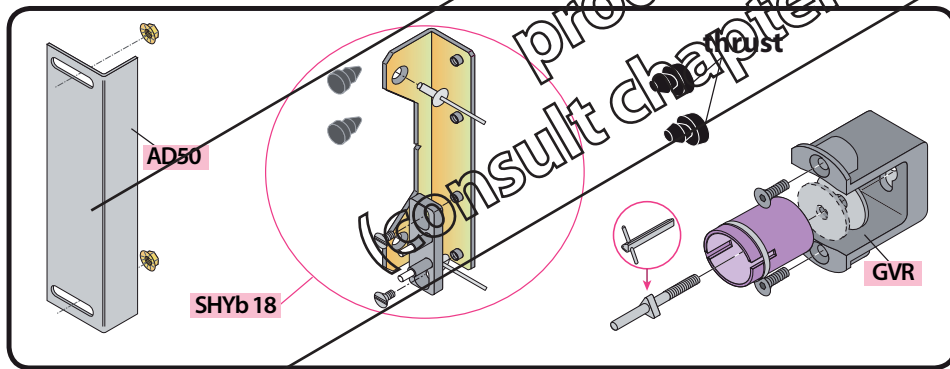
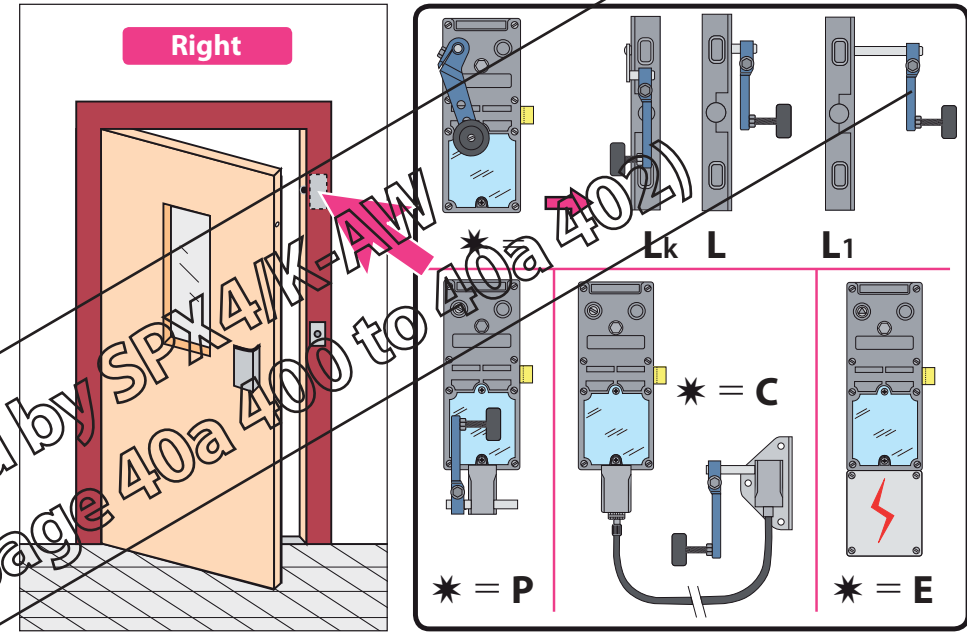
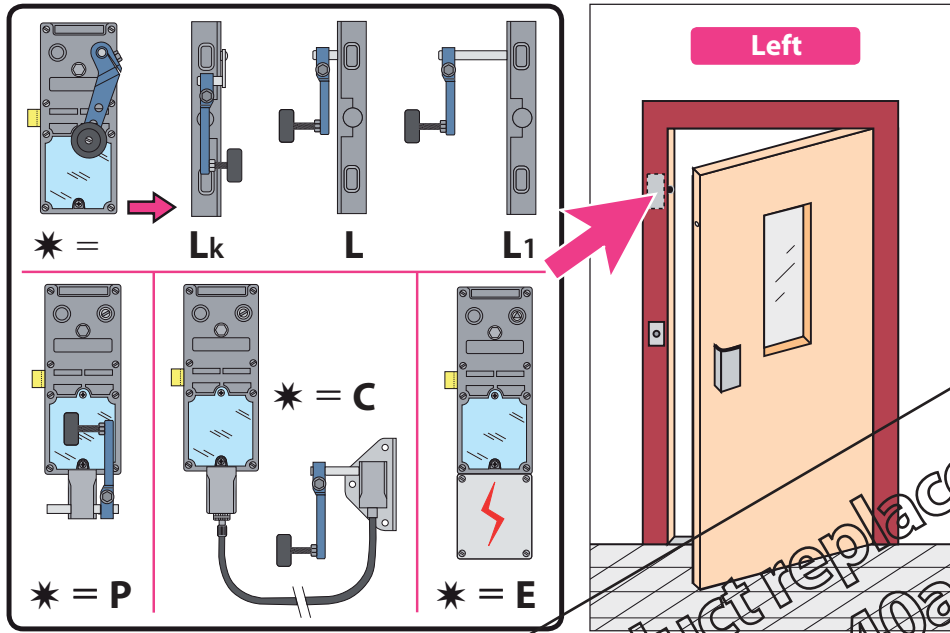
Substitution :

LR 180 \*\* AW prudhomme S.a



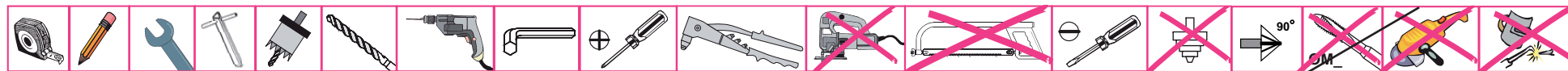
ref.:LR180 \* **G** AW

ref.:LR180 \* **D** AW



product replaced by SPX4W-AW  
consult chapter 40a page 40a 400 to 40a 402

Mounting stages



**1**

**2** **Left** **Right**

**3**

**4** **Left** **Right**

**5** **6** **7**

Ø 6,5

CPAW

Ø 3,2 + Ø 5 + 90°

Ø 3,2 + Ø 8 + 90°

CP/AW

Ø 22 (réf. KS22)

Ø 8

Ø 22 (réf. KS22)

Ø 8

Ø 3,2 + Ø 6 + 90°

Ø 30 (réf. KS30)

Ø 6

GVR

see page 1/2.

**8** **Left** **Right**

**9** **Left** **Right**

**10**

**11**

**12**

**13**

**14**

LR180

AD50

AD50

CP/DV

LR180

Support SHY

Support SHY

Support SHY

SHD18

SHD18

SHD18

SHD18

SHD18

SHD18

Ø 3,2 + Ø 14

Ø 4

Ø 3,2 + Ø 10

**Pin adjustment :**

**1p**

**2p**

**3p**

product replaced by SPXAK-AW  
consult chapter 40a page 40a 400 to 40a 402i